



# CORDLESS WATER TRANSFER PUMP

24V MAX\* | 2.0 Ah | 330 GPH

## OPERATOR'S MANUAL

A Division of Snow Joe®, LLC

**Model 24V-XFP5-LTE-RM**

Form No. SJ-24V-XFP5-LTE-RM-880E-M-V1

# THANKS FOR YOUR PURCHASE OF A REMANUFACTURED PRODUCT.

To make sure you get the most out of your product, be sure to register online at

**sunjoe.com**

to enjoy full product support.

PASTE UPC LABEL HERE



# CORDLESS WATER TRANSFER PUMP

24V MAX\* | 2.0 Ah | 330 GPH

## OPERATOR'S MANUAL

A Division of Snow Joe®, LLC

Model 24V-XFP5-LTE-RM

Form No. SJ-24V-XFP5-LTE-RM-880E-M-V1

## IMPORTANT! Safety Instructions

### All Operators Must Read These Instructions Before Use

Any electrical appliance can be dangerous if used incorrectly. Some of the safety precautions given in this manual apply generally to many appliances. Other warnings are specific to the use of this cordless transfer pump.

Always follow these safety guidelines. Failure to do so may result in personal injury or property damage.

**⚠️ WARNING!** This unit can be dangerous! Careless or improper use can cause serious injury.

### General Safety

#### FOR HOUSEHOLD USE ONLY

Before using, be sure that everyone using this tool reads and understands all safety instructions and other information contained in this manual. Save this manual and review it frequently prior to using this tool and when instructing others on the proper operating procedures.

Before using the transfer pump, take the time to familiarize yourself with the controls, especially how to stop the transfer pump. The only individuals who should use the transfer pump are those who have a thorough understanding of the instructions and who know how to operate the machine. Children should never be allowed access to the transfer pump.

Retain this manual for future reference.

**⚠️ WARNING!** Read all safety warnings, instructions, illustrations and specifications provided with the pump. Failure to follow all instructions listed below may result in electric shock, fire and/or serious injury.

### Work Area Safety

- **Keep your work area clean and well lit.** Cluttered benches and dark areas invite accidents.
- **Do not operate the product in explosive atmospheres, such as in the presence of flammable liquids, gases, or dust.** Products create sparks which may ignite the dust or fumes.

- **Keep children and bystanders away while operating the product.** Distractions can cause you to lose control.

### Personal Safety

- **Do not overreach.** Keep proper footing and balance at all times. Proper footing and balance enable better control of the product in unexpected situations.
- **Do not use on a ladder or unstable support.** Stable footing on a solid surface enables better control of the product in unexpected situations.
- **Prevent unintentional starting.** Ensure the switch is in the off-position before inserting the battery pack, picking up or carrying the tool. Carrying power tools with your finger on the switch or energizing power tools that have the switch on invites accidents.
- **Stay alert, watch what you are doing and use common sense when operating.** Do not attempt to operate this pump while you are tired or under the influence of drugs, alcohol or medication. A moment of inattention may result in personal injury.
- Use the product only for its intended use as described in this manual.
- If the product is not working properly, has been dropped, damaged, left outdoors or dropped into water, contact an authorized Snow Joe® + Sun Joe® dealer or call the Snow Joe® + Sun Joe® customer service center at 1-866-SNOWJOE (1-866-766-9563) for assistance.
- Only use attachments and accessories specified by the manufacturer.


### Transfer Pump Use and Care

**⚠️ CAUTION!** The pump has been evaluated for use with water only. Do not use with acids, alkalines, solvents, flammable material, gasoline or petroleum products, bleaches, or industrial grade solutions. These products can cause physical injuries to the operator and irreversible damage to the pump.

- Do not use the pump if the switch does not turn it on and off. Any tool cannot be controlled with the switch is dangerous and must be repaired.
- Remove the battery before making any adjustments, changing accessories, or storing the product. Such preventive safety measures reduce the risk of starting the product accidentally.
- Release the pressure and drain water from pump before servicing.

- Keep handles and grasping surfaces dry, clean and free from oil and grease. Slippery handles and grasping surfaces may result in loss of handling and control of the tool in unexpected situations.
- Clean with only dry cloth.
- Do not operate near any heat sources such as radiators, heat registers, stoves, or other apparatus (including amplifiers) that produce heat.
- **Do not remove hose while pump is still operating.**
- **Do not put any objects in ventilation openings. Do not use the product with any opening blocked.** Keep openings free of dust, lint, hair and anything that may reduce air flow.
- Maintain pump and accessories. Check for misalignment or binding of moving parts, breakage of parts and any other condition that may affect the pump's operation. If damaged, have the pump repaired before use. Accidents can be caused by a poorly maintained pump.

## Electric Safety

 **WARNING!** Read all safety warnings and instructions. Failure to follow the warnings and instructions may result in electric shock, fire and/or serious injury.

1. Recharge only with the charger specified by the manufacturer. A charger that is suitable for one type of battery pack may create a risk of fire when used with another battery pack.
2. Use appliances only with specifically designated battery packs. Use of any other battery packs may create a risk of injury and fire.
3. When the battery pack is not in use, keep them away from other metal objects, like paper clips, coins, keys, nails, screws or other small metal objects, that can make a connection from one terminal to another. Shorting the battery terminals together may cause burns or a fire.
4. Under abusive conditions, liquid may be ejected from the battery; avoid contact. If contact accidentally occurs, flush with water. If liquid contacts eyes, additionally seek medical help. Liquid ejected from the battery may cause irritation or burns.
5. Do not use a battery pack or appliance that is damaged or modified. Damaged or modified batteries may exhibit unpredictable behavior resulting in fire, explosion or risk of injury.
6. Do not expose a battery pack or appliance to fire or excessive temperature. Exposure to fire or temperature above 104°F(40.5°C) may cause explosion.
7. Follow all charging instructions and do not charge the battery pack or appliance outside of the temperature range specified in the instructions. Charging improperly or at temperatures outside of the specified range may damage the battery and increase the risk of fire.
8. Do not modify or attempt to repair the appliance or the battery pack (as applicable) except as indicated in the instructions for use and care.

## Transfer Pump Safety Warnings

1. **Know your product.** Read operator's manual carefully. Learn its applications and limitations, as well as the specific potential hazards related to this product. Following this rule will reduce the risk of electric shock, fire, or serious injury.
2. Do not allow children to operate the product or play with the product as a toy. Close attention is necessary when used near children.
3. **Do not let the pump run dry.**
4. **Do not lift the pump by hoses.**
5. **Periodically inspect the pump and the hoses. Ensure hoses are free from mud, sand and debris.** Disconnect the battery before inspecting.
6. This pump has been evaluated for use with water only.
7. The pump is not submersible.
8. **Risk Of Electric Shock** – this pump has not been investigated for use in swimming pool or marine areas.
9. This pump is thermally protected.
10. Battery tools do not have to be plugged into an electrical outlet; therefore, they are always in operating condition. Be aware of possible hazards when not using your battery tool or when changing accessories. Following this rule will reduce the risk of electric shock, fire, or serious personal injury.
11. **Do not place the product or its batteries near fire or heat.** This will reduce the risk of explosion and possibly injury.
12. Do not crush, drop or damage battery pack. Do not use a battery pack or charger that has been dropped or received a sharp blow. A damaged battery is subject to explosion. Properly dispose of a dropped or damaged battery immediately.
13. Batteries can explode in the presence of a source of ignition, such as a pilot light. To reduce the risk of serious personal injury, never use any cordless product in the presence of open flame. An exploded battery can propel debris and chemicals. If exposed, flush with water immediately.
14. Do not charge battery tool in a damp or wet location. Do not use, store, or charge battery packs or products in locations where the temperature is less than 41°F or more than 105°F. Do not store outside or in vehicles.

15. Do not incinerate the battery even if it is severely damaged. The batteries can explode in a fire.
16. To reduce the risk of fire or electric shock, do not use this product with any solid-state speed control device.
17. To reduce the risk of personal injury and electric shock, the product should not be played with or placed where small children can reach it.
18. To reduce the risk of electric shock, do not expose to water or rain.
19. Not for potable water or other potable liquids.
20. Do not pump water with a temperature over 104°F (40°C). Do not pump sand, particulate, or large debris. Damage to the pump will occur.
21. Do not allow this pump to operate unattended. Failure to follow this warning could result in personal injury.
22. Do not pump water from a creek, pond, or source where foreign objects may be sucked into the pump. Solids may enter the inlet hose.
23. **Secure the discharge hose before starting the pump.** An unsecured discharge hose may whip. Personal injury and/or death could result.

## Service

1. Have servicing performed by a qualified repair person using only identical replacement parts. This will ensure that the safety of the product is maintained.
2. When servicing the product, use only identical replacement parts. Follow instructions in the Maintenance section of this manual. Use of unauthorized parts or failure to follow Maintenance Instructions may create a risk of shock or injury.

## Battery + Charger Safety Instructions

We pay a great deal of attention to the design of every battery pack to ensure that we supply you with batteries that are safe, durable and have a high energy density. The battery cells have a wide range of safety devices. Each individual cell is initially formatted and its electrical characteristic curves are recorded. This data is then used exclusively to be able to assemble the best possible battery packs.

Despite all the safety precautions, caution must always be exercised when handling the battery. The following points must be obeyed at all times to ensure safe use. Safe use can only be guaranteed if undamaged cells are used. Incorrect handling of the battery pack can cause cell damage.

**IMPORTANT!** Analyses confirm that incorrect use and poor care of high-performance batteries are the main factors responsible for personal and/or product damage.

**⚠️ WARNING!** Use only approved replacement batteries; other batteries may damage the cordless transfer pump and

cause it to malfunction, which can lead to serious personal injury.

**⚠️ WARNING!** Do not use a battery pack or appliance that is damaged or modified. Damaged or modified battery may exhibit unpredictable behavior resulting in fire, explosion or risk of injury.

Do not modify or attempt to repair the appliance or the battery pack except as indicated in the instructions for use and care.

Have your battery pack serviced by a qualified repair person using only identical replacement parts. This will ensure that the safety of the battery pack is maintained.

**⚠️ CAUTION!** To reduce the risk of injury, charge the 24V iON+ lithium-ion battery pack only in the designated 24V iON+ lithium-ion charger. Other types of chargers present risk of fire, personal injury and damage. Do not wire the battery pack to a power supply plug or car cigarette lighter. Such misuse will permanently disable or damage the battery pack.

- **Avoid dangerous environments** – Do not charge the battery pack in rain, snow or in damp or wet locations. Do not use the battery pack or charger in the presence of explosive atmospheres (gaseous fumes, dust or flammable materials) because sparks may be generated when connecting or disconnecting the battery pack, which could lead to a fire.
- **Charge in a well-ventilated area** – Do not block the charger vents. Keep them clear to allow for proper ventilation. Do not allow smoking or open flames near a charging battery pack. Vented gases may explode.
 

**NOTE:** The safe temperature range for the battery is 41°F – 105°F (5°C – 40.5°C). Do not charge the battery outside in freezing weather; charge it at room temperature.
- **Maintain charger cord** – When unplugging the charger, pull the plug, not the cord, from the receptacle to reduce the risk of damage to the electrical plug and cord. Never carry the charger by its cord or yank it by the cord to disconnect it from the receptacle. Keep the cord away from heat, oil and sharp edges. Make sure the cord will not be stepped on, tripped over or subjected to damage or stress when the charger is in use. Do not use the charger with a damaged cord or plug. Replace a damaged charger immediately.
- **Do not use an extension cord unless it is absolutely necessary** – Using the wrong, damaged or improperly wired extension cord poses a risk of fire and electric shock. If an extension cord must be used, plug the charger into a properly wired 16 gauge or larger extension cord with the female plug matching the male plug on the charger. Make sure that the extension cord is in good electrical condition.
- **Charger 24VCHRG-AC is rated for 100 – 240 volt AC only** – The charger must be plugged into an appropriate receptacle.
- **Use only recommended attachments** – Use of an attachment not recommended or sold by the battery charger or battery pack manufacturer may result in risk of fire, electric shock or personal injury.

- **Unplug charger when not in use** – Make sure to disconnect battery pack from unplugged charger.

**⚠ WARNING!** To reduce the risk of electric shock, always unplug the charger before performing any cleaning or maintenance. Do not allow water to flow into the charger. Use a Ground Fault Circuit Interrupter (GFCI) to reduce shock hazards.

- **Do not burn or incinerate battery pack** – Battery pack may explode, causing personal injury or damage. Toxic fumes and materials are created when the battery pack is burned.
- **Do not crush, drop or damage battery pack** – Do not use the battery pack or charger if they have sustained a sharp blow, been dropped, run over or have been damaged in any way (i.e. pierced with a nail, hit with a hammer, stepped on, etc.).
- **Do not disassemble** – Incorrect reassembly may pose a serious risk of electric shock, fire or exposure to toxic battery chemicals. If the battery or charger are damaged, contact an authorized Snow Joe® + Sun Joe® dealer or call the Snow Joe® + Sun Joe® customer service center at 1-866-SNOWJOE (1-866-766-9563) for assistance.
- **Battery chemicals cause serious burns** – Never let a damaged battery pack contact the skin, eyes or mouth. If a damaged battery pack leaks battery chemicals, use rubber or neoprene gloves to safely dispose of it. If skin is exposed to battery fluids, wash the affected area with soap and water and rinse with vinegar. If eyes are exposed to battery chemicals, immediately flush with water for 20 minutes and seek medical attention. Remove and dispose of contaminated clothing.
- **Do not short circuit** – A battery pack will short circuit if a metal object makes a connection between the positive and negative contacts on the battery pack. Do not place a battery pack near anything that may cause a short circuit, such as paper clips, coins, keys, screws, nails and other metallic objects. A short-circuited battery pack poses a risk of fire and severe personal injury.
- **Store your battery pack and charger in a cool, dry place** – Do not store the battery pack or charger where temperatures may exceed 105°F (40.5°C), such as in direct sunlight or inside a vehicle or metal building during the summer.

## Information about the battery

1. The battery pack supplied in your cordless transfer pump is only partially charged. The battery pack has to be charged completely before you use the tool for the first time.
2. For optimum battery performance, avoid low discharge cycles by charging the battery pack frequently.
3. Store the battery pack in a cool place, ideally at 77°F (25°C) and charged to at least 40%.
4. Lithium-ion batteries are subject to a natural aging process. The battery pack must be replaced at the latest

when their capacity falls to just 80% of its capacity when new. Weakened cells in an aged battery pack are no longer capable of meeting the high power requirements needed for the proper operation of your cordless transfer pump, and therefore pose a safety risk.

5. Do not throw the battery pack into an open fire as this poses a risk of explosion.
6. Do not ignite the battery pack or expose it to fire.
7. Do not exhaustively discharge the battery. Exhaustive discharge will damage the battery cells. The most common cause of exhaustive discharge is lengthy storage or non-use of partially discharged battery. Stop working as soon as the performance of the battery fall noticeably or the electronic protection system triggers. Place the battery pack in storage only after it has been fully charged.
8. Protect the battery and the tool from overloads. Overloads will quickly result in overheating and cell damage inside the battery housing even if this overheating is not apparent externally.
9. Avoid damage and shocks. Immediately replace the battery that has been dropped from a height of more than one meter or has been exposed to violent shocks, even if the housing of the battery pack appears to be undamaged. The battery cells inside the battery may have suffered serious damage. In such instances, please read the waste disposal information for proper battery disposal.
10. If the battery pack suffers overloading and overheating, the integrated protective cutoff will switch off the equipment for safety reasons.  
**IMPORTANT!** Do not press the ON/OFF switch any more if the protective cut-off has been activated. This may damage the battery pack.
11. Use only original battery pack. The use of other batteries poses a fire risk and may result in injuries or an explosion.

## Information about the charger and the charging process

1. Please check the data marked on the rating plate of the battery charger. Be sure to connect the battery charger to a power supply with the voltage marked on the rating plate. Never connect it to a different mains voltage.
2. Protect the battery charger and its cord from damage. Keep the charger and its cord away from heat, oil and sharp edges. Have damaged cords repaired without delay by a qualified technician at an authorized Snow Joe® + Sun Joe® dealer or call the Snow Joe® + Sun Joe® customer service center at 1-866-SNOWJOE (1-866-766-9563).
3. Electrical plugs must match the outlet. Never modify the plug in any way. Do not use any adapter plugs with grounded appliances. Unmodified plugs and matching outlets will reduce the risk of electric shock.
4. Keep the battery charger, battery pack and the cordless tool out of the reach of children.








5. Do not use the supplied battery charger to charge other cordless tools.
6. During periods of heavy use, the battery pack will become warm. Allow the battery pack to cool to room temperature before recharging.
7. Do not overcharge the battery. Do not exceed the maximum charging times. These charging times only apply to discharged batteries. Frequent connection of a charged or partially charged battery pack will result in overcharging and cell damage. Do not leave the battery connected with the charger for days on end.
8. Never use or charge battery if you suspect that it has been more than 12 months since the last time they were charged. There is a high probability that the battery pack has already suffered dangerous damage (exhaustive discharge).
9. Charging the battery at a temperature below 41°F (5°C) will cause chemical damage to the cells and may cause a fire.
10. Do not use batteries that have been exposed to heat during the charging process, as the battery cells may have suffered dangerous damage.
11. Do not use the battery if it suffered curvature or deformation during the charging process or exhibit other atypical symptoms (gassing, hissing, cracking, etc.).
12. Never fully discharge the battery pack (maximum recommended depth of discharge is 80%). A complete discharge of the battery pack will lead to premature aging of the battery cells.
8. Prevent the lithium-ion battery pack from freezing. Battery packs that were stored below 32°F (0°C) for more than 60 minutes must be discarded.
9. When handling the battery, be wary of electrostatic charge. Electrostatic discharges can damage the electronic protection system and the battery cells. Avoid electrostatic charging and never touch the battery poles.

## Protection from environmental influences

1. Wear suitable work clothes. Wear safety goggles.
2. Protect your cordless tool and the battery charger from moisture and rain – Moisture and rain can cause dangerous cell damage.
3. Do not use the cordless tool or the battery charger near vapors and flammable liquids.
4. Use the battery charger and cordless tools only in dry conditions and at an ambient temperature of 41°F – 105°F (5°C – 40.5°C).
5. Do not keep the battery charger in places where the temperature is liable to reach over 105°F (40.5°C). In particular, do not leave the battery charger in a car that is parked in the sunshine.
6. Protect batteries from overheating. Overloads, overcharging and exposure to direct sunlight will result in overheating and cell damage. Never charge or work with batteries that have been overheated – replace them immediately, if possible.
7. Store the charger and your cordless tool only in dry locations with an ambient temperature of 41°F – 105°F (5°C – 40.5°C). Store your lithium-ion battery packs in a cool, dry place at a temperature of 77°F (25°C). Protect the battery pack, charger and cordless tool from humidity and direct sunlight. Only place fully charged batteries in storage (charged to at least 40%).

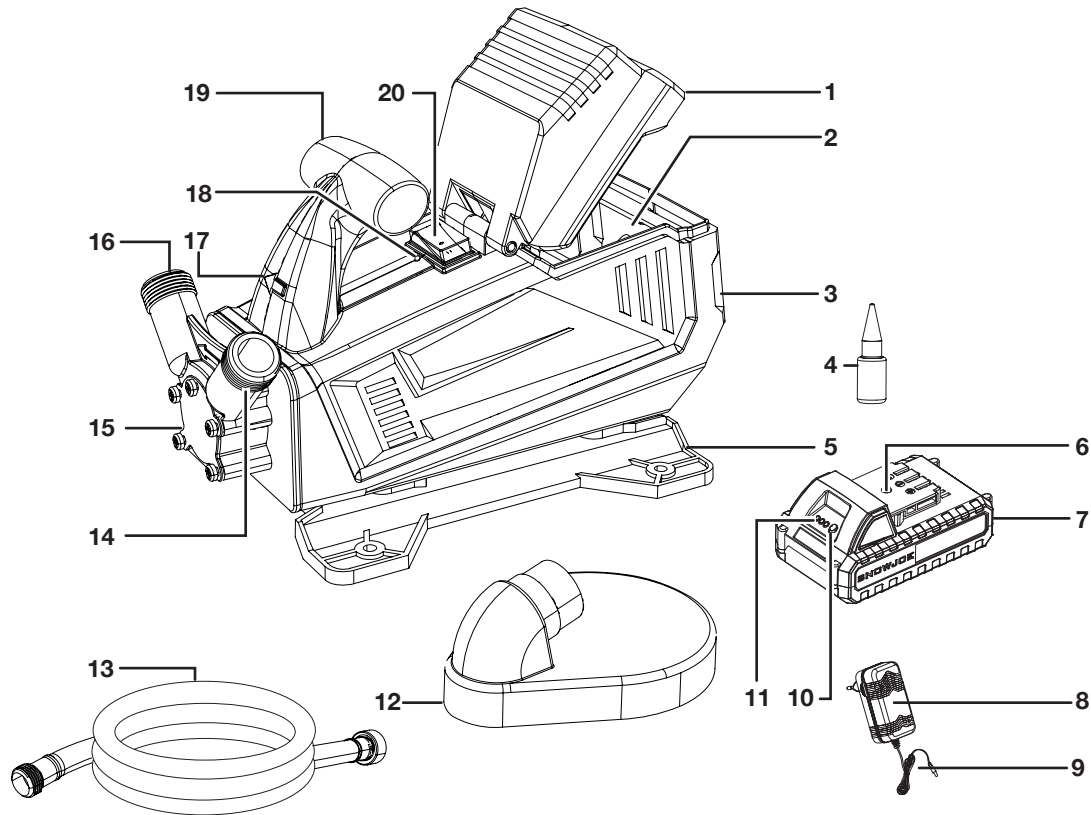
# Safety Symbols

The following table depicts and describes safety symbols that may appear on this product. Read, understand, and follow all instructions on the machine before attempting to assemble and operate.

Symbols	Descriptions	Symbols	Descriptions
	<b>READ THE OPERATOR'S MANUAL(S)</b> – Read, understand, and follow all instructions in the user manual(s) before attempting to assemble and operate.		<b>WARNING!</b> Electrical shock hazard.
	<b>SAFETY ALERT</b> – Indicates a precaution, a warning, or a danger.		<b>WARNING!</b> Do not expose the unit to rain or wet conditions. Keep dry.
	Store indoors. Never store the transfer pump outdoors. If the pump freezes, permanent damage may result.		

# Know Your Cordless Transfer Pump


Read the owner's manual and safety instructions carefully before operating the cordless transfer pump. Compare the illustration below to the cordless transfer pump in order to familiarize yourself with the location of the various controls and adjustments. Save this manual for future reference.



- |   |  |
|---|--|
| 1. Battery compartment cover  | 10. Push-button for battery power status |
| 2. Battery compartment  | 11. Battery power indicators             |
| 3. Motor housing  | 12. Puddle strainer                      |
| 4. Oil bottle   | 13. Intake hose                          |
| 5. Base   | 14. Water inlet                          |
| 6. Charge socket  | 15. Impeller cover plate                 |
| 7. 24V iON+ lithium-ion battery (24VBAT-LTE) featuring exclusive EcoSharp® technology | 16. Water outlet                         |
| 8. 24V iON+ lithium-ion charger (24VCHRG-AC)  | 17. Flow direction indicator             |
| 9. Charger plug   | 18. LED indicator                        |
|   | 19. Handle                               |
|   | 20. On/Off switch                        |



## Technical Data

Battery Voltage	24 V D.C.
Battery Capacity	2.0 Ah
Battery Run Time Max	20 min
Charger Input	100 – 240 V AC, 50 - 60 Hz, 50 W
Charger Output	25.2 V DC  1.4 A
Charge Time Max	80 min
Motor	150 W
Max Water Inlet Temperature	104°F/40°C
Intake Hose Length	5.9 ft (1.8 m)
Max Flow Rate	330 GPH
Max Head Height	52 ft (15.8 m)
Max Suction Lift	13 ft (4 m)
Fittings	3/4" GHT male
Enclosure	Type 2
Weight (unit only)	4 lbs (1.9 kg)
Weight (with battery installed)	5 lbs (2.3 kg)

\* Initial no-load voltage, when fully charged, peaks at 24 volts; nominal voltage under typical load is 21.6 volts.

## Unpacking

### Carton Contents

- Cordless transfer pump
- Puddle strainer
- Intake hose
- Oil bottle
- M5 tapping screws (4)
- 24V iON+ lithium-ion battery
- 24V iON+ lithium-ion charger
- Manuals with registration card

1. Carefully remove the transfer pump and check to see that all of the above items are supplied.
2. Inspect the product carefully to make sure no breakage or damage occurred during shipping. If you find damaged or missing parts, DO NOT return the unit to the store. Please call the Snow Joe® + Sun Joe® customer service center at 1-866-SNOWJOE (1-866-766-9563).

**NOTE:** Do not discard the shipping carton and packaging material until you are ready to use your new cordless transfer pump. The packaging is made of recyclable materials. Properly dispose of these materials in accordance with local regulations.

**IMPORTANT!** The equipment and packaging material are not toys. Do not let children play with plastic bags, foils,

or small parts. These items can be swallowed and pose a suffocation risk!

**⚠️ WARNING!** Do not insert battery until assembly is complete. Failure to comply could result in accidental starting and possible serious personal injury.





## Battery Pack Operation

The equipment is powered by a lithium-ion battery. The battery pack is completely sealed and maintenance free.

### Battery Charge Level Indicator

The battery pack is equipped with a push button for checking the charge level. Simply press the push button to read off the battery charge level from the LEDs of the battery indicator:

- All 3 level monitoring LEDs are lit: Battery charge level is high.
- 2 level monitoring LEDs are lit: Battery charge level is decreasing. Stop work as soon as possible.
- 1 level monitoring LED is lit: Battery is flat. Stop work IMMEDIATELY and charge the battery. Otherwise the battery's service life will be greatly shortened.

Lights	Light Indicators
	Charge level button
	The battery is at 30% capacity and requires charging
	The battery is at 60% capacity and requires charging soon
	The battery is at full capacity

**NOTE:** If the charge level button does not appear to be working, connect to the charger and charge as needed.

**NOTE:** Immediately after using the battery pack, the charge level button may display a lower charge than it will if checked a few minutes later. The battery cells “recover” some of their charge after resting.

## Charger Operation

**⚠️ WARNING!** Charge only 24V iON+ lithium-ion battery pack with its compatible 24V iON+ lithium-ion charger. Other types of batteries may cause personal injury and damage.

To reduce the risk of electric shock, do not allow water to flow into the charger's AC/DC plug.

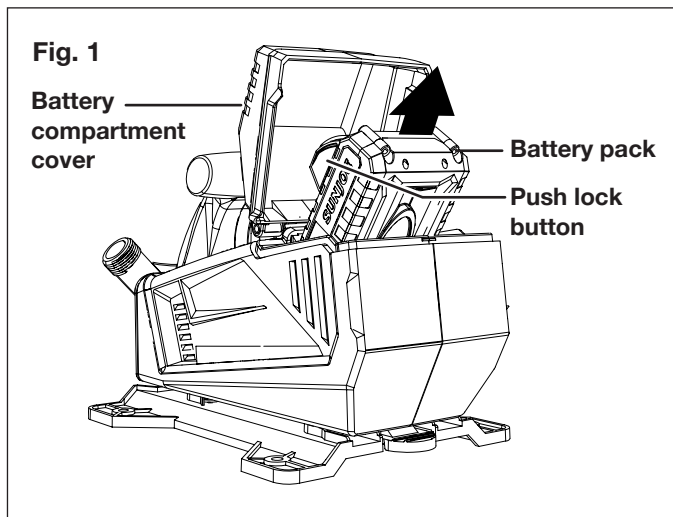
## When to Charge the iON+ 24VBAT-LTE Lithium-iON Battery

**NOTE:** The iON+ 24VBAT-LTE lithium-iON battery pack does not develop a "memory" when charged after only a partial discharge. Therefore, it is not necessary to run down the battery pack before inserting the charger plug.

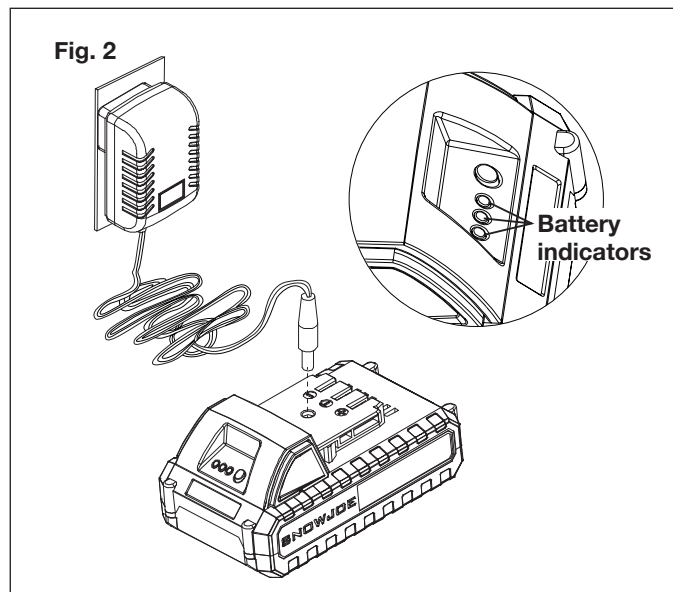
- Use the battery indicator lights to determine when to charge your iON+ 24VBAT-LTE lithium-iON battery pack.
- You can "top-off" your battery pack's charge before starting a big job or after a long day of use.

## Charging the Battery

1. Open the battery compartment cover, and push the push lock buttons to pull both the battery pack out from the battery compartment (Fig. 1).



2. Check that the mains voltage is the same as that marked on the rating plate of the battery charger. Then, plug the charger adapter into an appropriate AC power outlet. Connect the charger plug into the charge socket of the battery to start charging (Fig. 2).



3. The battery will take approximately 80 minutes to charge. The battery indicator LEDs will twinkle and illuminate one by one during the charging process. Unplug the charger immediately when the 3 LEDs are all illuminated.

**⚠ CAUTION!** FIRE HAZARD. When disconnecting the charger from the battery, be sure to unplug the charger from the outlet first, then disconnect the charger from the battery.

**⚠ WARNING!** This charger does not automatically turn off when the battery is fully charged. Please take care not to leave the battery plugged into the charger. Switch off or unplug the charger at the mains when charging is complete.

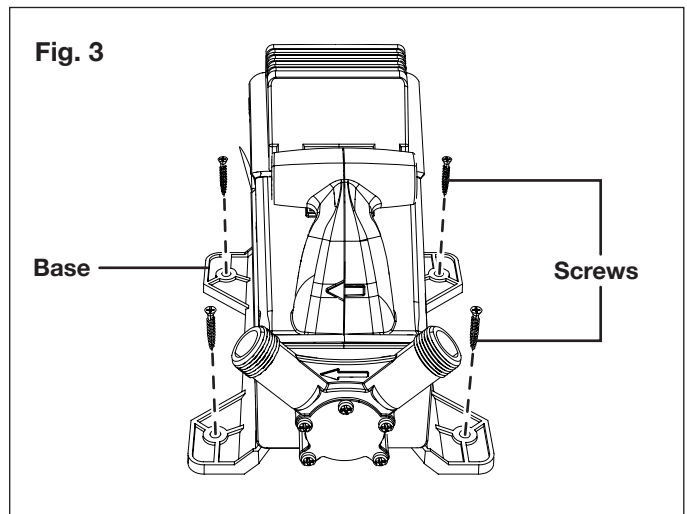
4. Timely recharging of the battery will help prolong the battery's life. You must recharge the battery pack when you notice a drop in the equipment's power.

**IMPORTANT!** Never allow the battery pack to become fully discharged as this will cause irreversible damage to the battery.

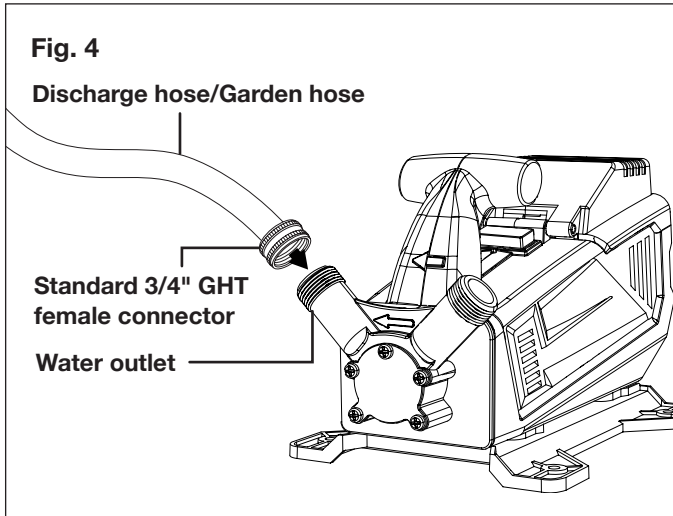
## Assembly

**⚠ WARNING!** Do not insert the battery before the unit is fully connected with hoses and ready for use.

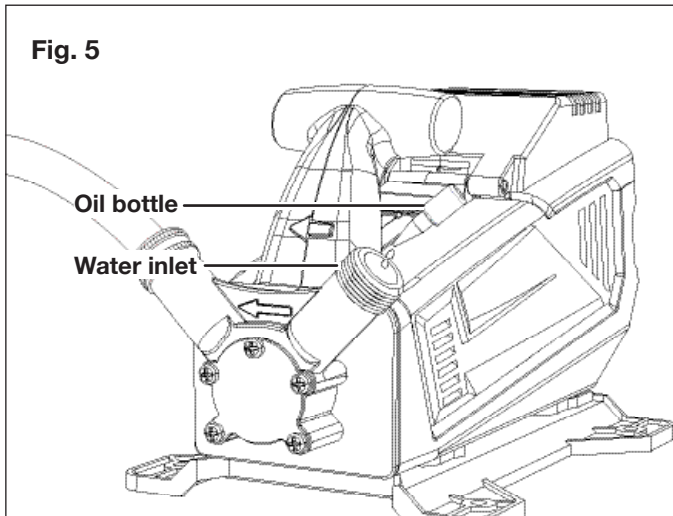
1. The equipment comes fully assembled. If needed, fasten it securely to a suitable surface (e.g., a work-bench) in a suitable place (protected against dust, dry, well-lit) with the 4 provided M5 tapping screws (Fig. 3). Otherwise, place the pump on a level, dry surface securely.



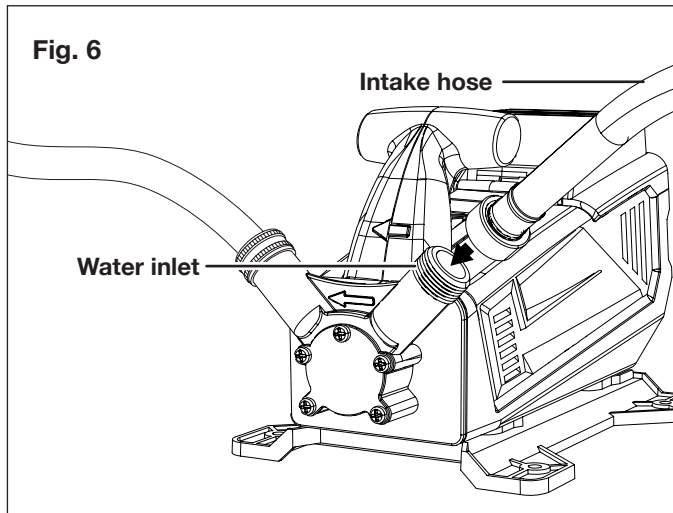
2. Connect a discharge hose onto the water outlet. It's recommended to use a garden hose with standard 3/4" GHT female connector. Thread to secure (Fig. 4).



3. Add two drops of oil into the water inlet before and after each use (Fig. 5).



4. Connect the female end of the included intake hose onto the water inlet. Thread to secure (Fig. 6).



**NOTE:** Make sure hose connections are tight before switching on the pump. Leaking connection will greatly reduce the suction power and the efficiency of the pump.

**⚠ WARNING!** Keep water discharge pointed away from all electrical devices to reduce the risk of electrocution or electric shock.

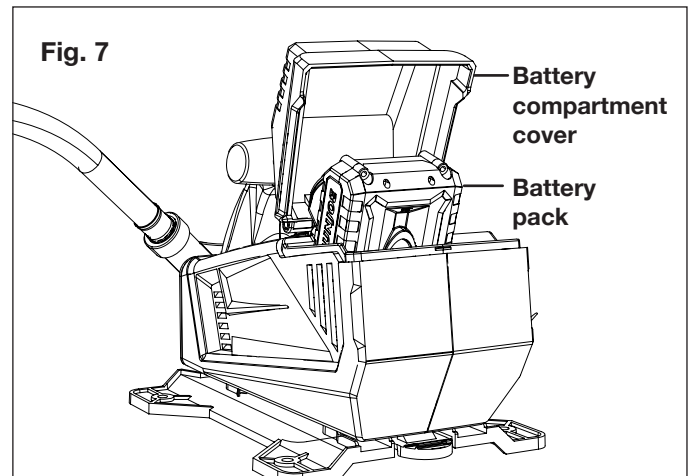
## Operation

**⚠ WARNING!** This transfer pump should only be used to pump clear water. Do NOT pump salt water, brine, laundry discharge, or any other application which may contain caustic chemicals and/or foreign material. Do NOT pump sand particulate, or large debris. Do NOT pump fluids such as gasoline, fuel oil, or kerosene. Do NOT use in a flammable or explosive atmosphere.

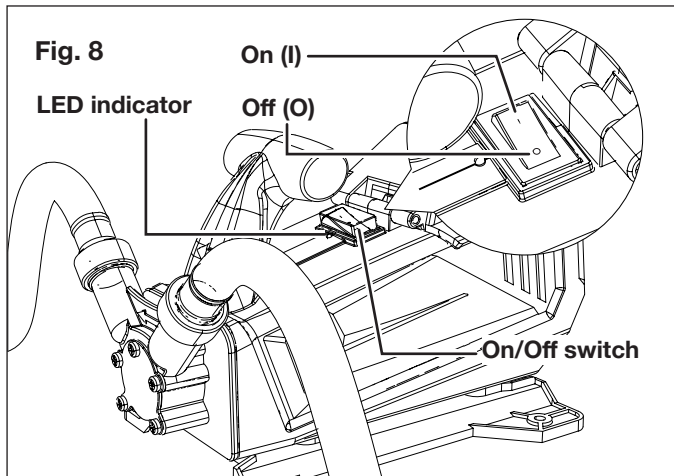
**⚠ WARNING!** Do not place pump under water or in wet areas. Place pump in dry locations only.

## Starting/Stopping the Transfer Pump

1. Lay out the intake hose and the discharge hose to make sure there's no blockage, kinks or bends.
2. Drop the other end of the intake hose into the water needing to be transferred, aiming as close to the center of the water source as possible.
3. Secure the discharge hose and make sure it will not whip around or move unexpectedly when pumping begins.
4. With the two hoses connected and secured, open the battery compartment cover and insert the battery until it clicks in place. Close the battery compartment cover (Fig. 7).



5. Press the On/Off switch on the ON(I) side to start the machine (Fig. 8). The LED indicator will turn red when the pump is on.



**NOTE:** The LED indicator is used to indicate the working status of the pump. When the LED is lit red, the pump is working properly. When the LED is flashing, it indicates the pump is overheating. Shut off the pump and let it cool down before restarting. The pump is also equipped with overheating protection, which will turn off the unit automatically when the pump is running dry.

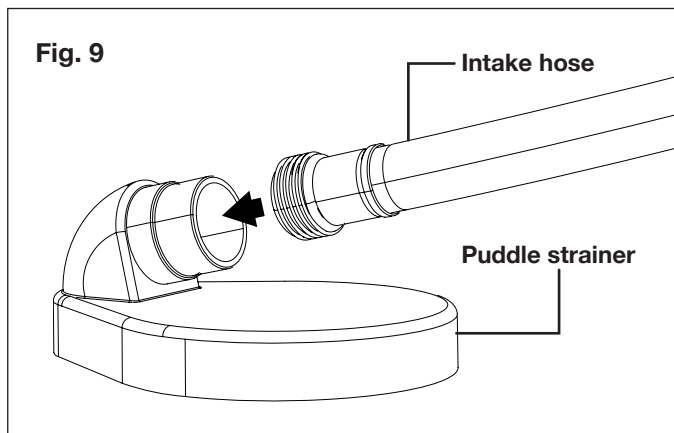
**NOTE:** A pump running dry may cause overheating. If the overheating is caused by the pump running dry, make sure the intake hose is positioned properly in the water.

6. To turn off the pump, press the Off (O) side of the On/Off switch (Fig. 8). Remove the battery from the battery compartment.

## Operating Tips

This product is designed for draining or removing water from flooded areas, clogged sinks, water basins, etc. During operation, pay attention to the following:

1. Keep the water inlet clean and clear of all foreign objects. Inspect the water inlet every time before operation.
2. When the water needing to be transferred contains large particles, or is too shallow to be sucked by the intake hose, use the equipped puddle strainer. Simply connect it with the male end of the intake hose, twist to secure, and place the strainer in the center of the water to be transferred (Fig. 9).



3. As soon as the pump starts to take in air, turn off the pump.

**NOTE:** DO NOT allow the pump to run dry. Damage to the pump may occur.

4. For best results, the pump should not be placed more than 18 ft. above the inlet source.
5. During operation, do not block the air vents. This will cause overheating.
6. Do not run the pump continuously for more than 1 hour.
7. When job is done, turn off the pump and remove the battery. Disconnect the intake hose and discharge hose. Make sure no water remains in the hoses before storage.

## Maintenance

Please contact an authorized Snow Joe® + Sun Joe® dealer or call the Snow Joe® + Sun Joe® customer service center at 1-866-SNOWJOE (1-866-766-9563) for all maintenance operations not foreseen in this manual. Any operation performed in an unauthorized service center or by unqualified personnel will completely invalidate the warranty.

**CAUTION!** To reduce the risk of injury, always remove battery pack before attempting to install, service, or maintain the pump. Never disassemble the pump, battery pack or charger.

## General Maintenance

1. Frequently inspect the pump for issues such as abnormal noise, misalignment or binding of moving parts, breakage of parts, or any other condition that may affect the tool operation. Contact your Snow Joe® + Sun Joe® dealer or the Snow Joe® + Sun Joe® customer service center for ALL repairs.
2. Clean dust and debris from vents. Keep handles clean, dry and free of oil or grease. Only use a dry cloth to clean the housing, since certain cleaning agents and solvents are harmful to plastics and other insulated parts. Never use flammable or combustible solvents around tools.

**WARNING!** To reduce the risk of personal injury and damage, never immerse your tool, battery pack or charger in liquid or allow a liquid to flow inside them.

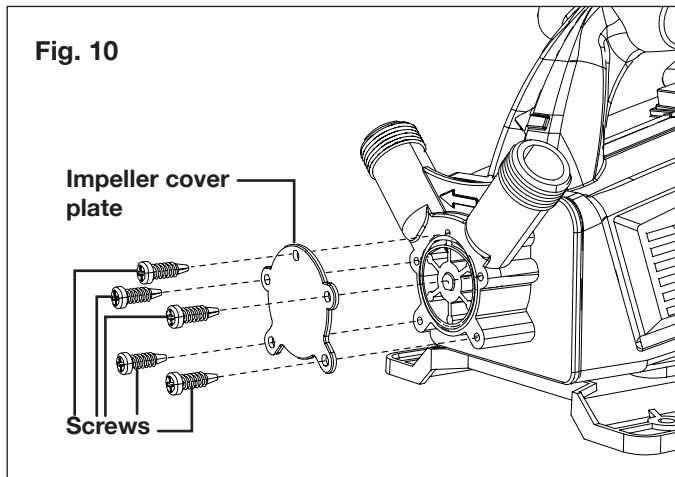
## Replace the Impeller and O-Ring

**IMPORTANT:** Only use original replacement filters specified for this pump.

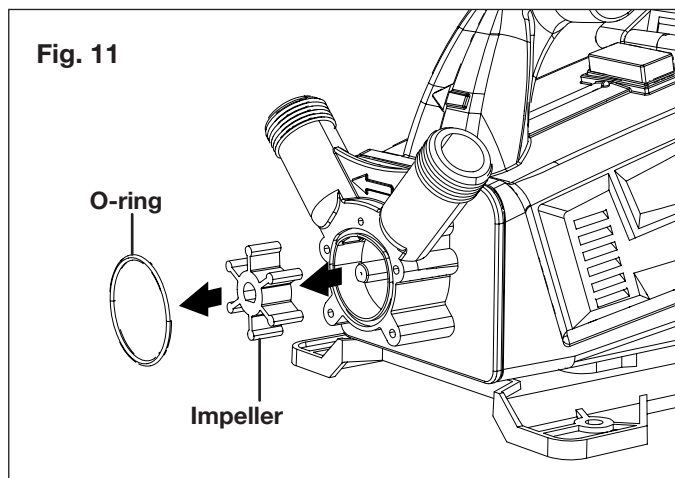
You can purchase replacement impeller (Model 24V-XFP5-IMP), O-ring (Model 24V-XFP5-ORING) and other genuine replacement parts by visiting us online at [sunjoe.com](http://sunjoe.com) or calling our toll-free customer service helpline at 1-866-SNOWJOE (1-866-766-9563). The use of accessories/parts that do not meet the original equipment specifications may lead to improper performance of the pump, may compromise operator safety and will void the manufacturer's warranty.



1. Switch off the pump, remove the battery from the battery compartment, and disconnect all hoses.
2. Using a screwdriver, remove the 5 screws that used to fix the impeller cover plate (Fig. 10).



3. Remove the worn impeller and O-ring (Fig. 11).



4. Replace with the new impeller and O-ring. When assembling the impeller, make sure to align the axle with the middle hole of the impeller, and push the impeller into the pump as far as it will go.
5. Make sure the O-ring is properly seated and replace impeller cover plate. Secure with the original 5 screws.
6. Secure the hoses and insert the battery, turn on the pump to make sure there's no leaking from the impeller cover plate.

## Proper Care for Battery + Charger

**⚠️WARNING!** To reduce the risk of injury, always unplug the charger and disconnect the battery pack from the charger before performing any maintenance task. Never disassemble the battery pack or charger. Contact your Snow Joe® + Sun Joe® dealer or the Snow Joe® + Sun Joe® customer service center for ALL repairs.

1. To reduce the risk of injury and damage, never immerse your battery pack or charger in liquid or allow any liquid to flow inside these components.
2. Clean out dust and debris from charger vents and electrical contacts by blowing with compressed air.
3. Use only a soft, clean and dry brush to clean the battery pack and charger, keeping away from all electrical contacts. Certain cleaning agents and solvents are harmful to plastics and other insulated parts. Some of these include gasoline, turpentine, lacquer thinner, paint thinner, chlorinated cleaning solvents, ammonia and household detergents containing ammonia. Never use flammable or combustible solvents around battery packs, battery chargers or tools.
4. The iON+ 24VCHRG-AC lithium-ion battery charger has no serviceable parts.

## Storage

Store the pump indoors in a dry, locked-up place out of the reach of children, with the battery pack disconnected. Disconnect and drain all hoses. Keep away from corrosive agents such as garden chemicals and de-icing salt.

## Battery + Charger Off-Season Storage

1. Do not expose your battery pack or charger to water, rain or allow them to get wet. This could permanently damage the charger and the battery pack. Do not use oil or solvents to clean or lubricate your battery pack as the plastic casing can become brittle and crack, causing a serious risk of injury.
2. Store the battery pack and charger at room temperature away from moisture. Do not store in damp locations where corrosion of terminals may occur. As with other battery pack types, permanent capacity loss can result if the pack is stored for long periods of time at high temperatures (over 120°F/49°C).
3. iON+ 24VBAT-LTE lithium-ion battery packs maintain their charge during storage longer than other battery pack types. As a general practice, it is best to unplug the battery charger and disconnect the battery pack when they are not in use. Recharge the battery pack every 6 months to 50% capacity (2 lights on) during off-season storage to maintain optimal battery performance.

## Recycling + Disposal

The product comes in a package that protects it against damage during shipping. Keep the package until you are sure that all parts have been delivered and the product is functioning properly. Recycle the package afterwards or keep it for long-term storage.



WEEE symbol. Waste electrical products should not be disposed of with household waste. Please recycle where facilities exist. Check with your local authority or local store for recycling regulations.

## Battery Caution + Disposal

Always dispose of your battery pack according to federal, state, and local regulations. Contact a recycling agency in your area for recycling locations.

**⚠ CAUTION!** Even discharged battery packs contain some energy. Before disposing, use electrical tape to cover the terminals to prevent the battery pack from shorting, which could cause a fire or explosion.

**⚠ WARNING!** To reduce the risk of injury or explosion, never burn or incinerate a battery pack even if it is damaged, dead or completely discharged. When burned, toxic fumes and materials are emitted into the surrounding atmosphere.

1. Batteries vary according to device. Consult your manual for specific information.
2. Install only new batteries of the same type in your product (where applicable).
3. Failure to insert batteries in the correct polarity, as indicated in the battery compartment or manual, may shorten the life of the batteries or cause batteries to leak.
4. Do not mix old and new batteries.
5. Do not mix Alkaline, Standard (Carbon-Zinc) or Rechargeable (Nickel Cadmium, Nickel Metal Hydride, or Lithium-Ion) batteries.
6. Do not dispose of batteries in fire.
7. Batteries should be recycled or disposed of as per state and local guidelines.

## Service + Support

If your Sun Joe® 24V-XFP5-LTE-RM cordless water transfer pump requires service or maintenance, please call the Snow Joe® + Sun Joe® customer service center at 1-866-SNOWJOE (1-866-766-9563).

## Model + Serial Numbers


When contacting the company, reordering parts, or arranging service from an authorized dealer, you will need to provide the model and serial numbers, which can be found on the decal located on the housing of the unit. Copy these numbers into the space provided below.

Record the following numbers from the housing or handle of your new product:																			
Model #:																			
2	4	V	-	X	F	P	5	-	L	T	E	-	R	M					
Serial #:																			



# 24VCHRG-AC

## Federal Communications Commission (FCC)

 **WARNING!** Any changes or modifications to this unit not expressly approved by the party responsible for compliance could void the user's authority to operate the equipment.

### **Class B device:**

**NOTE:** This equipment has been tested and found to comply with the limits for a Class B digital device, pursuant to part 15 of the FCC Rules.

These limits are designed to provide reasonable protection against harmful interference in a residential installation.

This equipment generates, uses and can radiate radio frequency energy and, if not installed and used in accordance with the instructions, may cause harmful interference to radio communications.

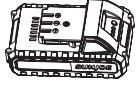
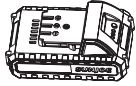
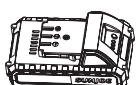




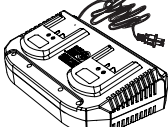


However, there is no guarantee that interference will not occur in a particular installation.

If this equipment does cause harmful interference to radio or television reception, which can be determined by turning the equipment off and on, the user is encouraged to try to correct the interference by one or more of the following measures:

- Reorient or relocate the receiving antenna.
- Increase the separation between the equipment and receiver.
- Connect the equipment into an outlet on a circuit different from that to which the receiver is connected.
- Consult the dealer or an experienced radio/TV technician for help.

# Optional Accessories

**⚠️ WARNING!** ALWAYS use only authorized Snow Joe® + Sun Joe® replacement parts and accessories. NEVER use replacement parts or accessories that are not intended for use with this cordless water transfer pump. Contact Snow Joe® + Sun Joe® if you are unsure whether it is safe to use a particular replacement part or accessory with your cordless water transfer pump. The use of any other attachment or accessory can be dangerous and could cause injury or mechanical damage.

Accessories	Item	Model
	24V iON+ 1.3 Ah Lithium-Ion Battery <i>Battery Charge Time Max:</i> 24VCHRG-AC: 50 min   24VCHRG-QC: 35 min   24VCHRG-DPC: 35 min <i>Battery Runtime Max: 13 min</i>	24VBAT-LTW
	24V iON+ 1.5 Ah Lithium-Ion Battery <i>Battery Charge Time Max:</i> 24VCHRG-AC: 60 min   24VCHRG-QC: 40 min   24VCHRG-DPC: 40 min <i>Battery Runtime Max: 15 min</i>	24VBAT-LTX
	24V iON+ 2.0 Ah Lithium-Ion Battery <i>Battery Charge Time Max:</i> 24VCHRG-AC: 1 hr 20 min   24VCHRG-QC: 55 min   24VCHRG-DPC: 55 min <i>Battery Runtime Max: 20 min</i>	24VBAT-LTE
	24V iON+ 2.5 Ah Lithium-Ion Battery <i>Battery Charge Time Max:</i> 24VCHRG-AC: 1 hr 40 min   24VCHRG-QC: 1 hr 20 min   24VCHRG-DPC: 1 hr 10 min <i>Battery Runtime Max: 25 min</i>	24VBAT-LT
	24V iON+ 4.0 Ah Lithium-Ion Battery <i>Battery Charge Time Max:</i> 24VCHRG-AC: 3 hrs 30 min   24VCHRG-QC: 1 hr 50 min   24VCHRG-DPC: 1 hr 50 min <i>Battery Runtime Max: 40 min</i>	24VBAT
	24V iON+ 5.0 Ah Lithium-Ion Battery <i>Battery Charge Time Max:</i> 24VCHRG-AC: 3 hrs 20 min   24VCHRG-QC: 2 hr 20 min   24VCHRG-DPC: 2 hr 30 min <i>Battery Runtime Max: 50 min</i>	24VBAT-XR
	24V iON+ Lithium-Ion Battery Quick Charger	24VCHRG-QC
	24V iON+ Lithium-Ion Dual-port Battery Charger	24VCHRG-DPC
	Replacement O-ring	24V-XFP5-ORING
	Rubber Impeller	24V-XFP5-IMP

**NOTES**

---

---

---

---

---

---

---

---

---

---

---

---

---

---

---

---

---

---

---

---

---

---

---

---

---

---

---

---

**NOTES**

---

---

---

---

---

---

---

---

---

---

---

---

---

---

---

---

---

---

---

---

---

---

---

---

---

---



## SNOW JOE® + SUN JOE® REFURBISHED GOODS WARRANTY

### GENERAL CONDITIONS:

Snow Joe® + Sun Joe® operating under Snow Joe®, LLC warrants this refurbished product to the original purchaser for 90 days against defects in material or workmanship when used for normal residential purposes. If a replacement part or product is needed, it will be sent free of charge to the original purchaser except as noted below.

The duration of this warranty applies only if the product is put to personal use around the household. It is the owner's responsibility to correctly perform all maintenance and minor adjustments explained in the owner's manual.

### HOW TO OBTAIN YOUR REPLACEMENT PART OR PRODUCT:

To obtain a replacement part or product, please visit [snowjoe.com/help](http://snowjoe.com/help) or email us at [help@snowjoe.com](mailto:help@snowjoe.com) for instructions. Please be sure to register your unit beforehand to speed up this process. Certain products may require a serial number, typically found on the decal affixed to the housing or guard of your product. All products require a valid proof of purchase.

### EXCLUSIONS:

- Wearing parts like belts, augers, chains and tines are not covered under this warranty. Wearing parts can be purchased at [snowjoe.com](http://snowjoe.com) or by calling 1-866-SNOWJOE (1-866-766-9563).
- Batteries are covered in full for 90-days from the date of purchase.

Snow Joe® + Sun Joe® may from time to time change the design of its products. Nothing contained in this warranty shall be construed as obligating Snow Joe® + Sun Joe® to incorporate such design changes into previously manufactured products, nor shall such changes be construed as an admission that previous designs were defective.

This warranty is intended to cover product defects only. Snow Joe®, LLC is not liable for indirect, incidental or consequential damages in connection with the use or misuse of the Snow Joe® + Sun Joe® products covered by this warranty. This warranty does not cover any cost or expense incurred by the purchaser in providing substitute equipment or service during reasonable periods of malfunction or non-use of this product while waiting for a replacement part or unit under this warranty. Some states do not allow exclusions of incidental or consequential damages so the above exclusions may not apply in all states. This warranty may give you specific legal rights in your state.

### HOW TO REACH US:

We're here to help Monday through Friday from 9AM to 7PM EST and Saturday and Sunday 9AM to 4PM. You can reach us at 1-866-SNOWJOE (1 866-766-9563), online at [snowjoe.com](http://snowjoe.com), via email at [help@snowjoe.com](mailto:help@snowjoe.com) or tweet us @snowjoe.

### EXPORTS:

Customers who have purchased Snow Joe® + Sun Joe® products exported from the United States and Canada should contact their Snow Joe® + Sun Joe® distributor (dealer) to obtain information applicable to your country, province or state. If for any reason, you are not satisfied with the distributor's service, or if you have difficulty obtaining warranty information, contact your Snow Joe® + Sun Joe® seller. If in the event your efforts are unsatisfactory, please reach out to us directly.



[sunjoe.com](http://sunjoe.com)